

Feature -

- Small size
- Led illuminated
- Two color available
- Good tactile feeling

Applications -

- Computer products
- Instrumentation
- Network products
- Communication products



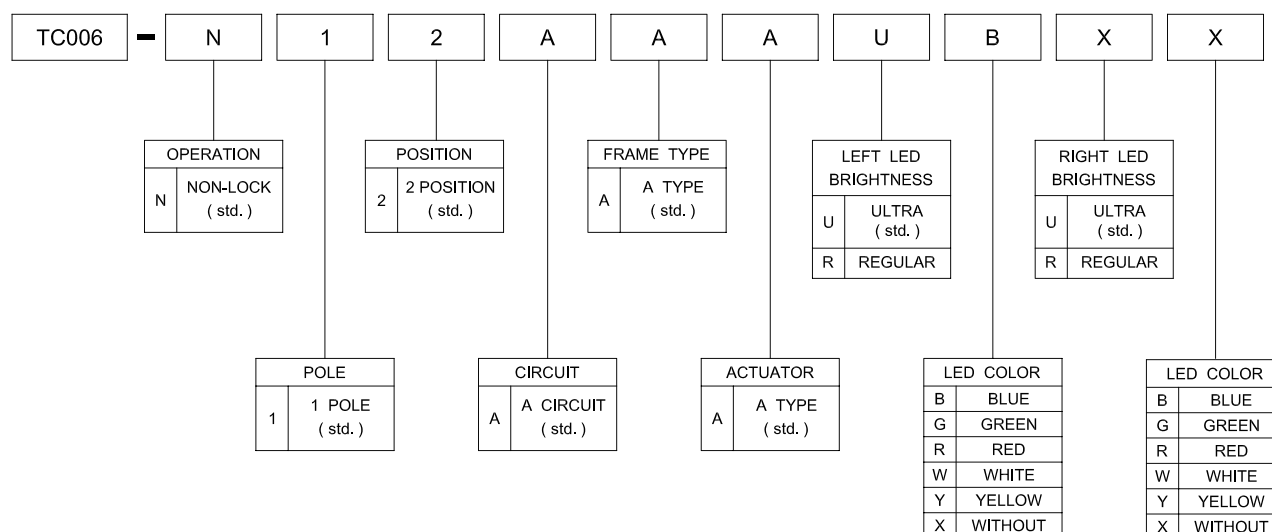
► SPECIFICATIONS

SWITCH SPECIFICATIONS	
POLE - POSITION	1P2T , Right Angle Push on-on momentary Type , with or w/o LED are Available
RATING	POWER MIN / MAX : 0.02VA / 1.0VA CURRENT MIN / MAX : 0.1mA ~ 100mA VOLTAGE MIN / MAX : DC 20mV ~ DC 32V
CONTACT RESISTANCE	250 mΩ max. 1.5 V DC ; 100 mA , by Method of Voltage DROP
INSULATION RESISTANCE	100 MΩ min. 500 V DC
DIELECTRIC STRENGTH	Breakdown is not Allowable ; 250 V AC for 1 Minute
OPERATING FORCE	500 ± 125 gf
OPERATING LIFE	25,000 cycles
OPERATING TEMPERATURE RANGE	-20°C ~ 70°C
TOTAL TRAVEL	2.0 mm max.

LED SPECIFICATIONS		Value / LED Color			
ATTENTION	Unit	Blue	Green	Red	Yellow
		LEDs are Electrostatic Sensitive devices			
FORWARD CURRENT	If	30	30	40	30
REVERSE VOLTAGE	Vr	5.0	5.0	5.0	5.0
REVERSE CURRENT	Ir	50	10	10	10
FORWARD VOLTAGE@20mA	Vf	3.5-4.0	1.7-2.8	1.5-2.4	1.7-2.8
LUMINOUS INTENSITY@20mA	Iv	mcd 350-700	60-100	75-120	45-75

■ Physical and electrical information of LED will be provided upon customer's request on switches .

► HOW TO ORDER

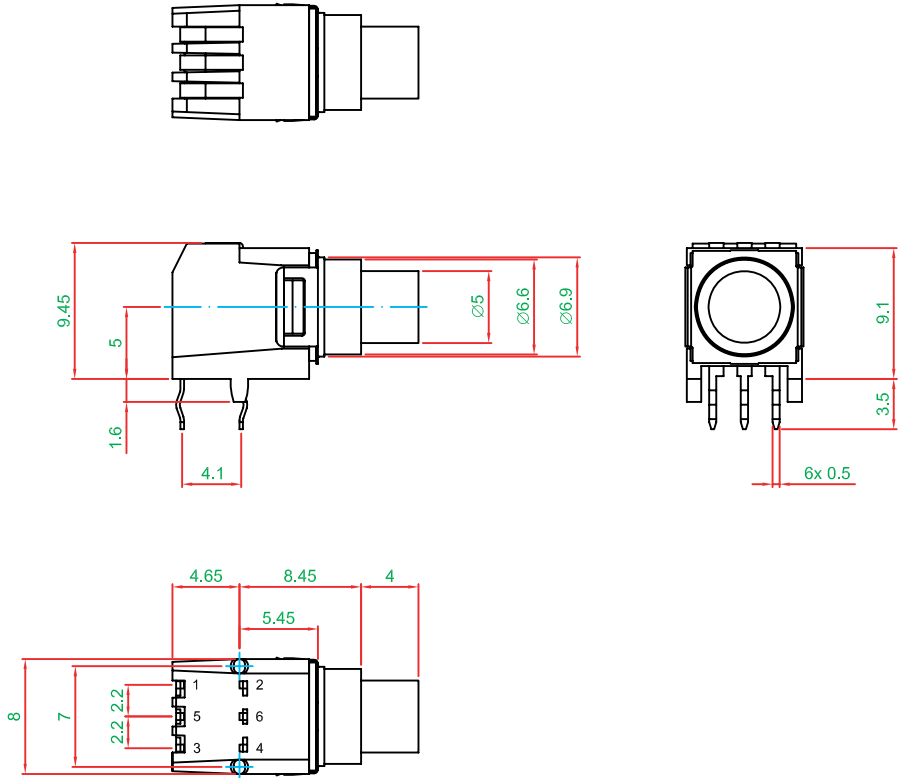


TC006 SERIES

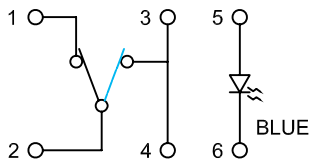
LED TACT SWITCH

► DIMENSION

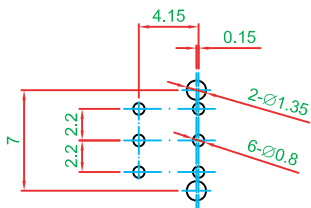
► TC006-N12AAAUBXX



► CIRCUIT DIAGRAM



► P.C.B. LAYOUT



► MATERIAL

- FRAME - PA + GF
- ACTUATOR - PC
- TERMINAL - BRASS ; GOLD PLATING
- DOME - STAINLESS STEEL ; GOLD PLATING
- SPACER - SILICON

► UNIT WEIGHT

- TC006 - 0.95 ± 0.05 g / pcs