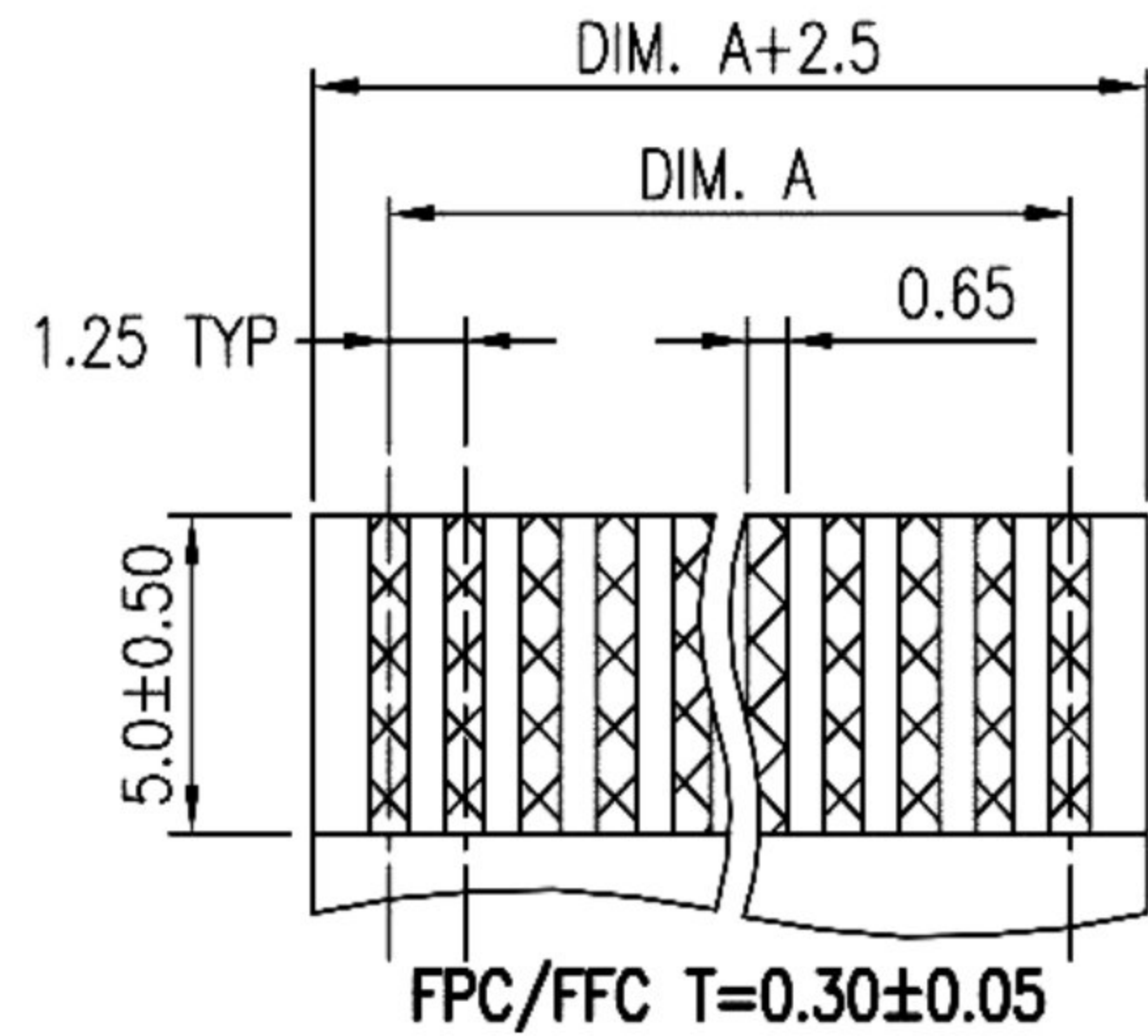
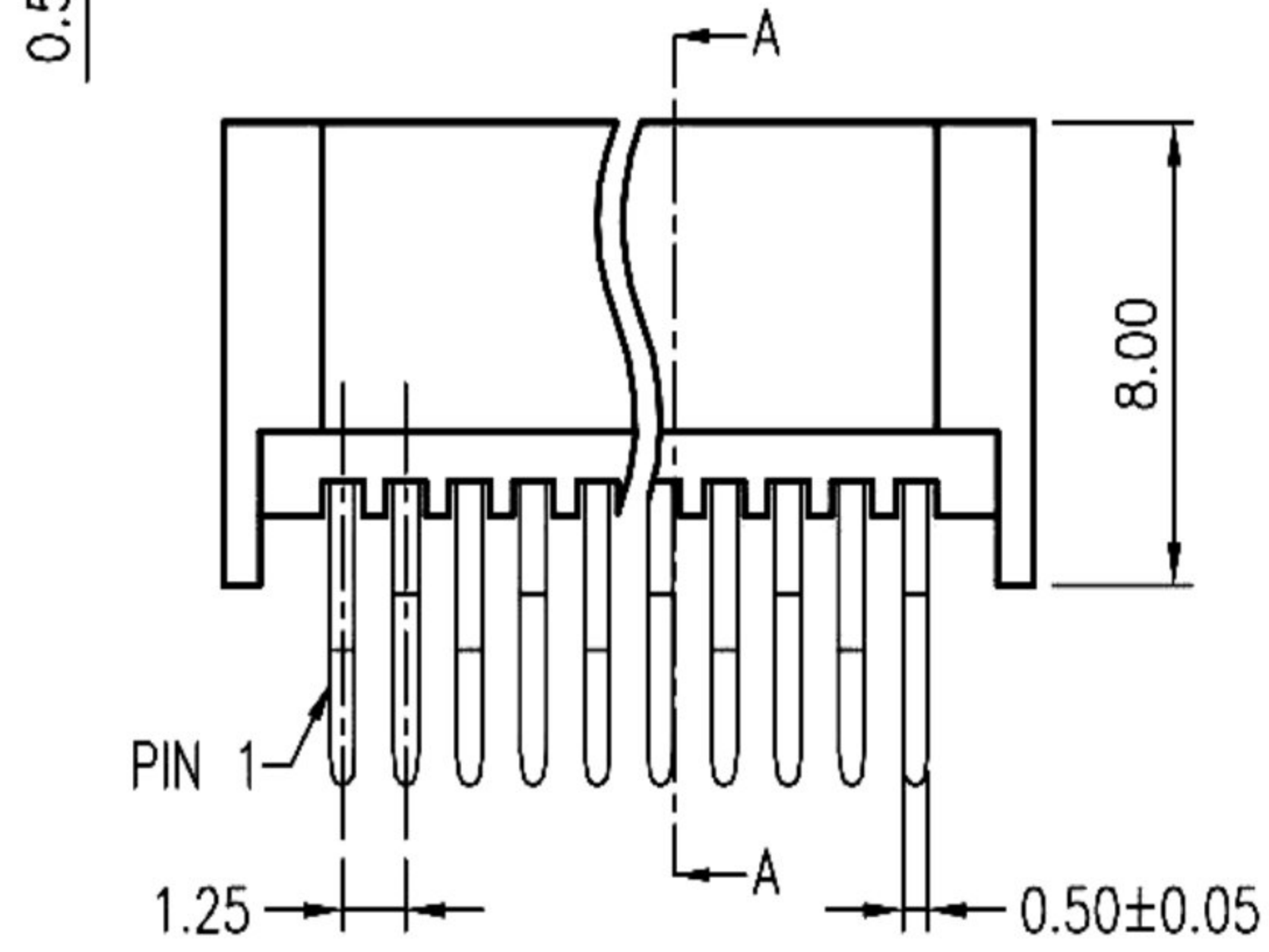
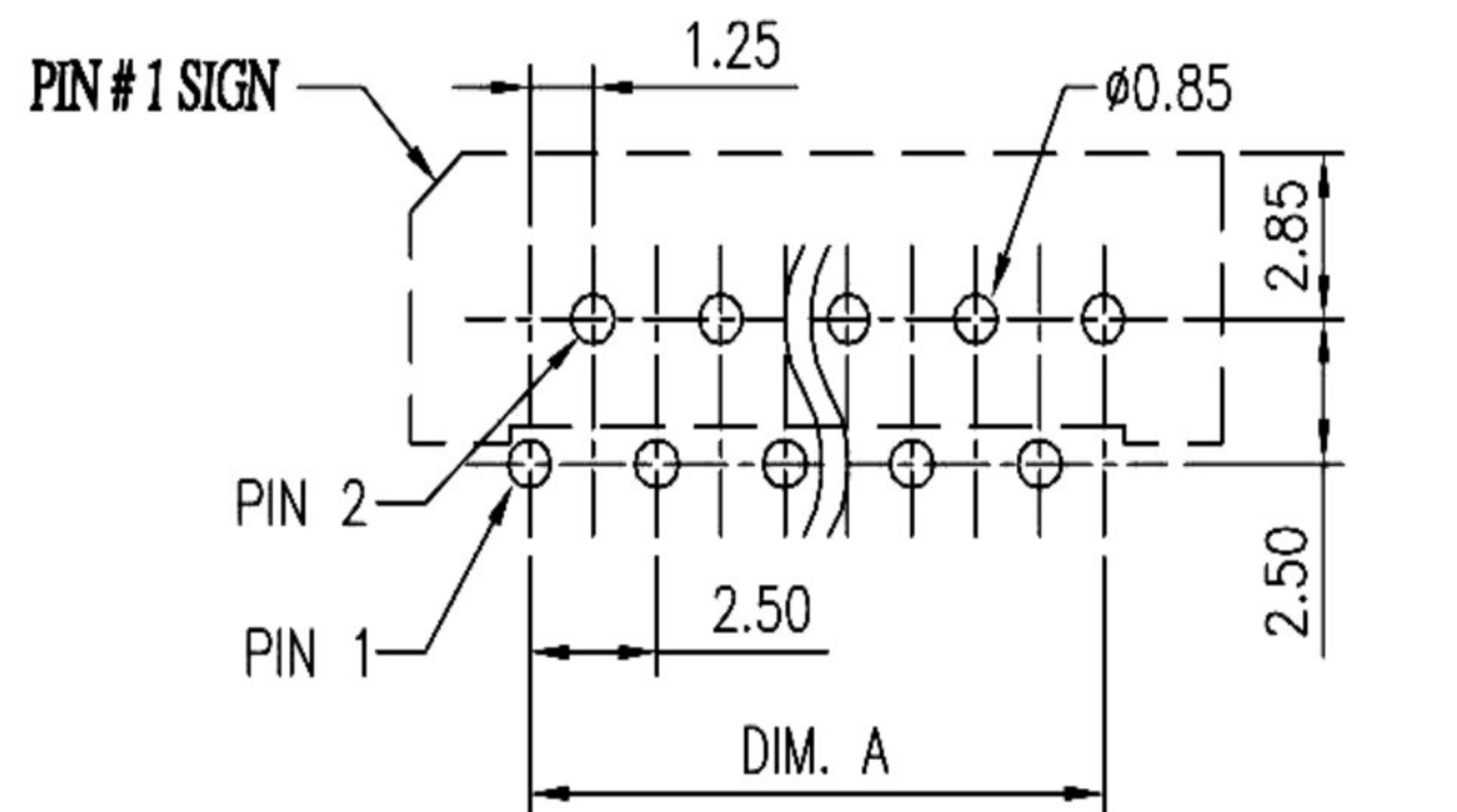


**NOTE:**

- MATERIAL:**  
HOUSING: HIGH-TEMP, UL94V-0; COLOR: BLACK.  
CONTACT: COPPER ALLOY.
- FINISH:**  
CONTACT AREA: TIN(BRIGHT) PLATING 100 u" THICKNESS MIN.  
SOLDERING AREA: TIN(BRIGHT) PLATING 100 u" THICKNESS MIN.;  
UNDER PLATING: NICKEL PLATING 50 u" THICKNESS MIN.



POS.	DIMENSION			POS.	DIMENSION		
	A	B	C		A	B	C
4	3.75	6.30	8.40	20	23.75	26.30	28.40
5	5.00	7.55	9.65	21	25.00	27.55	29.65
6	6.25	8.80	10.90	22	26.25	28.80	30.90
7	7.50	10.05	12.15	23	27.50	30.05	32.15
8	8.75	11.30	13.40	24	28.75	31.30	33.40
9	10.00	12.55	14.65	25	30.00	32.55	34.65
10	11.25	13.80	15.90	26	31.25	33.80	35.90
11	12.50	15.05	17.15	27	32.50	35.05	37.15
12	13.75	16.30	18.40	28	33.75	36.30	38.40
13	15.00	17.55	19.65	29	35.00	37.55	39.65
14	16.25	18.80	20.90	30	36.25	38.80	40.90
15	17.50	20.05	22.15	31	37.50	40.05	42.15
16	18.75	21.30	23.40	32	38.75	41.30	43.40
17	20.00	22.55	24.65	33	40.00	42.55	44.65
18	21.25	23.80	25.90	34	41.25	43.80	45.90
19	22.50	25.05	27.15	35	42.50	45.05	47.15



**RECOMMENDED PCB LAYOUT**  
TOLERANCE: ±0.05

<b>RoHS Compliant</b>		<b>HSM 玄茂科技股份有限公司</b> <b>HSUAN MAO TECHNOLOGY CO., LTD.</b>	
APPD. 核准 <b>Betty</b>		TOLERANCE LINEAR ANGLES X ± 0.40 X' ± .X ± 0.30 .X' ± .XX ± 0.20 .XX' ± .XXX ± 0.10 .XXX' ±	PART NAME 品名 FPC/FFC NON-ZIF 1.25mm XXP DIP STRAIGHT TYPE TIN PLATING TUBE PACKING BLACK COLOR ROHS
DWG. 製圖 <b>Betty</b>	SCALE 比例 參考 UNIT 單位 MM	SIZE. 紙張尺寸 A4	PART NO. 料號 <b>C3913-XXTTTB00R</b>
DATE 制表日 <b>2012/12/24</b>	PAGE 張數 1 OF 1	REV. 版次 A	