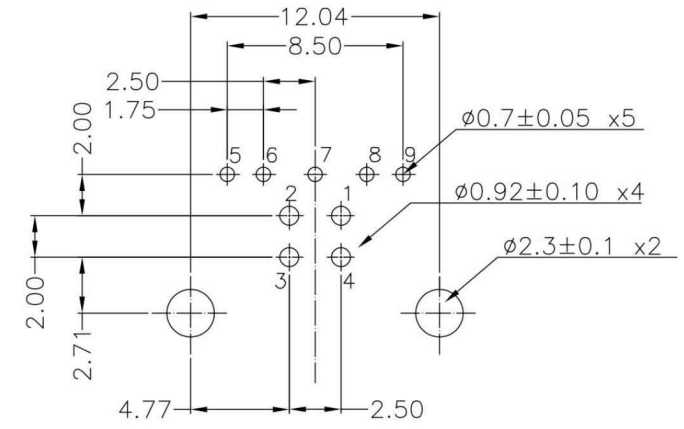
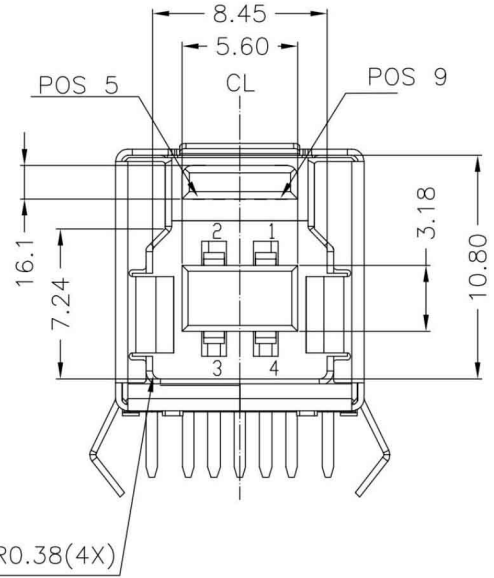


**MATERIALS**

HOUSING: THERMOPLASTIC (UL 94V-0)  
 SHELL: COPPER ALLOY, NICKEL PLATING  
 TERMINAL: COPPER ALLOY, GOLD PLATED ON CONTACT AREA  
 TIN PLATING ON SOLDER TAIL

**SPECIFICATION**

CURRENT RATING: 1 AMP MAX  
 DIELECTRIC WITHSTANDING: 500V AC FOR ONE MINUTE  
 CONTACT RESISTANCE: 30m OHMS MAX  
 INSULATION RESISTANCE: 1000M OHMS AT DC 500V  
 OPERATION TEMPERATURE: -25°C TO +85°C



RECOMMENDED PCB LAYOUT  
 TOP VIEW (TOLERANCE? ±0.05)

RoHS Compliant		<b>HSM</b> 玄茂科技股份有限公司 HSUAN MAO TECHNOLOGY CO., LTD.	
APPD. 核准 Betty		TOLERANCE X ±0.30 XX ±0.25 XXX ±0.150 Ang. ±2°	PART NAME 品名 USB 3.0 VERSION B TYPE 9P FEMALE HORIZONTAL RIGHT ANGLE TYPE MATERIAL:PBT BLUE COLOR TRAY PACKING ROHS
DWG. 製圖 Betty	SCALE 比例 參考	SIZE 紙張尺寸 A4	PART NO. 料號 C8344-09BFHPXLR
DATE 制表日 2012/02/14	UNIT 單位 M M PAGE 張數 1 OF 1	REV. 版次 B	